



**MTCO 1324**

# Modular Tachograph

The Modular EC Tachograph MTCO 1324 sets new standards in respect of performance, technology and design by using separate indication and recording.

In addition to road speed and distance travelled, the driver-related driving times, working times and rest periods are securely recorded on the currently used record sheet. Via operating keys, both driver and co-driver comfortably select the relevant working time group. Date, time, distance travelled, events as well as service and diagnostics information can be called up on the LC display.

Speed indication is by means of the electronic speedometer or using an approved display function already integrated into the instrument cluster.

On the basis of the current Regulation (EEC) No. 3821/85 the MTCO 1324 in radio format forms an innovative system component which can easily be integrated into future-oriented cockpit concepts.

## Characteristics

- Automatic warnings
- Multi-functional LC Display with 2x16 characters
- Recording unit for the ISO 7736 radio format
- Either hinged or fixed drawer version
- Drawer for 2 record sheets, locked and unlocked via ignition key
- Battery-buffered real-time clock with automatic summertime switch-over
- Automatic, real-time positioning of record sheet admission
- Automatic change of time group and cut-off of distance after 25 h

## Options

- Customized front panels
- CAN-Interface
- Stand-alone version with digital speed indication
- Info Interface

# Modular Tachograph MTCO 1324

## Available Functions

Function	Indication MTCO	Recording chart	Indication via E-Tacho 1323	Data via optional CAN-Interface
Road speed	◦ 3)	•	•	•
Date	•	1)	-	•
Time	•	2)	◦	•
Total kilometers driven	•	1)	•	•
Daily kilometers	-	2)	◦	•
Driving/Working times, rest periods	•	-	-	•
Events/Failures	•	•	•	•
Additional stylus	-	◦	-	-
Engine speed	-	◦	-	•

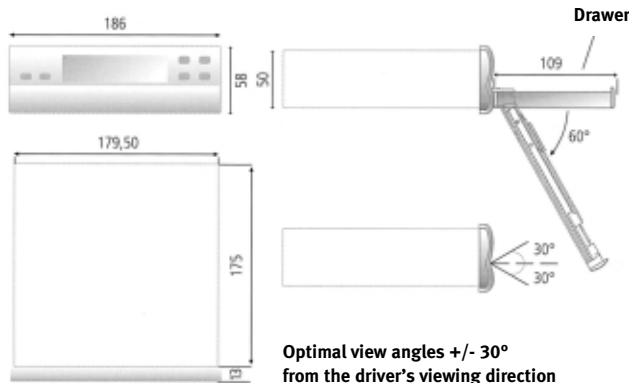
• Standard ◦ Options - not planned 1) Manual 2) Graphical 2) Excluding indication of date

## Technical Information

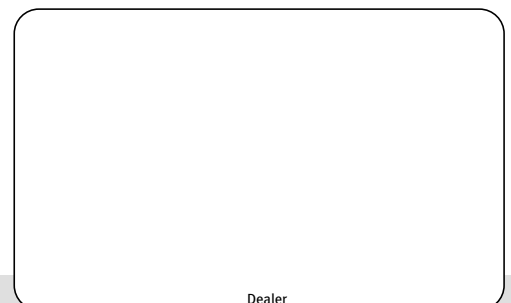
(Standard version)

Measuring range	125 km/h
Operating temperature	-25 ... +70°C
Operating voltage	24 V
Pulse range	4 000 - 25 000 Imp/km
Inputs/Outputs	v-sensor, v-pulse, programming interface, 4 Imp/m
Accuracy	speed +/- 3 km/h, distance +/- 1%, time +/- 5 sec/day
EMC	RL 95/94/EG ISO 7637
Casing	Steel, galvanised
Weight	~ 1350 g
Available extras	Dangerous goods version, 12 volts version, engine speed 3300 min <sup>-1</sup> , CAN interface for instrument and vehicle, diagnostics interface via CAN (Diagnosis/CAN-Interface based on ISO 16844), illuminated operating keys, dimmable display, measuring range 100/140/180 km/h, additional recording, Info Interface, Stand alone version with digital speed indication
Assembly frame	An assembly frame according to ISO 7736 is required for mounting.

## Mounting Dimensions (in mm):



Optimal view angles +/- 30° from the driver's viewing direction



Dealer